

# SORDINA

technology serving life



**Sordina Medical Technologies S.r.l.**

Tel +39 0444 233750 - Fax +39 0444 233790  
info@sordina.com - www.sordina.com

**Registered Office**

Galleria Pozzo Rosso 13  
36100 Vicenza, Italy  
REA VI-357804

**ST1**  
*Operating Table*

High quality  
cost effective mechanical  
multipurpose OT



Since more than 140 years Sordina provides its know how to Surgical Teams and they're patients offering high quality and high reliability Operating Tables designed to satisfy numerous needs.

Italian passion, global vision: according to this concept Sordina designed a new generation of high-performances Operating Tables able to fulfill User's expectations. Sordina engineered the new Operating Table line together with Surgical Teams to ensure product's highest reliability and use friendly.

The new Operating Table ST1 it's easy to use, efficient and strong conceived for routinely OR activity. ST1 technical performances paired with its manufacture quality makes the Operating Table extremely appealing both for Users and Hospital Administrators due to its contained price.

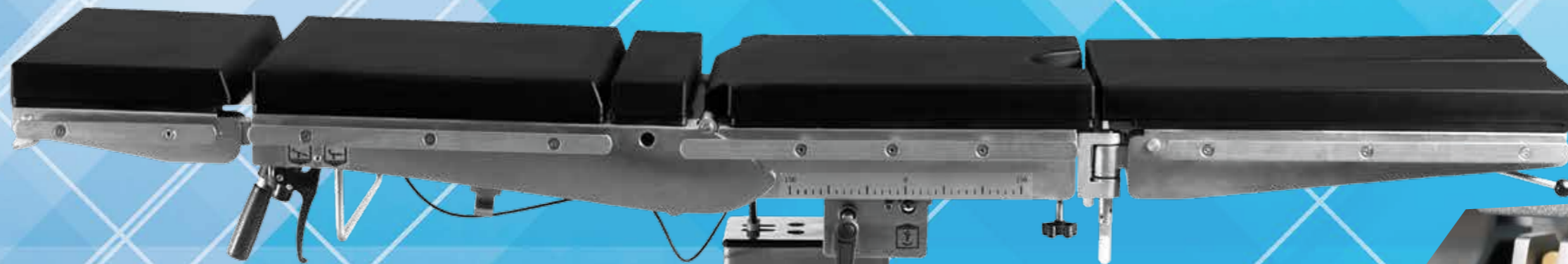
The ST1 Operating Table model is totally mechanically actioned; Sordina can offer as optional some electrical movements.

Technology serving life, the new generation

Double joint  
head section



Kidney bridge



Lock-unlock system



To ensure an optimal radiolucency  
translation movement is available  
for the whole operating plane



Floor locking system actioned by a single pedal



SORDINA

SORDINA | OPERATING TABLE | ST1

Technology serving life, the new generation

## SUPERB VERSATILITY



Leg sections allows multiple configurations



Leg sections are actioned manually by gas spring



Double joint head sections are actioned manually by gas spring

Technology serving life, the new generation

# TECHNICAL SPECIFICATION

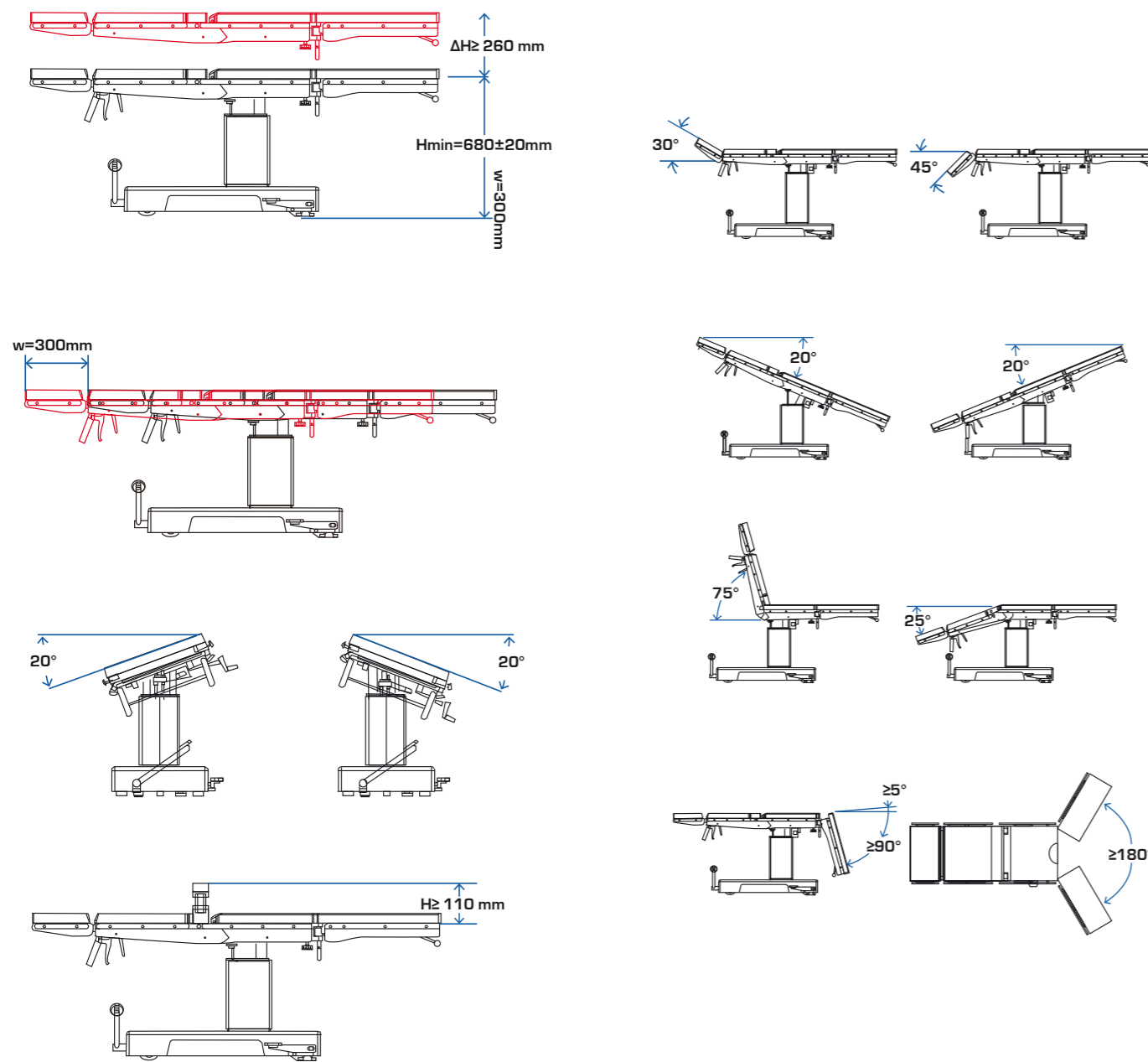


Table Length	2020 mm
Table Width (without side rails)	520 mm
Table Height (without mattress)	680 mm-940 mm
Trendelenburg/Reverse	20°/20°
Lateral Tilt (left/right)	20°/20°
Back Plate Up/Down	75°/25°
Head Plate Up/Down (detachable)	30°/45°
Leg Plate Up/Down (detachable)	5°/90°
Leg Plate Split (detachable)	180°
Kidney-bridge Elevator UP	110 mm
Longitudinal Sliding	300 mm
Loading Capacity	297 Kg

Technology serving life, the new generation



GUARANTEED AND CERTIFIED  
QUALITY SINCE 1875

SERVICE ASSISTANCE

Numero Assistenza  
**+39 0444 233 750**

[service@sordina.com](mailto:service@sordina.com)

